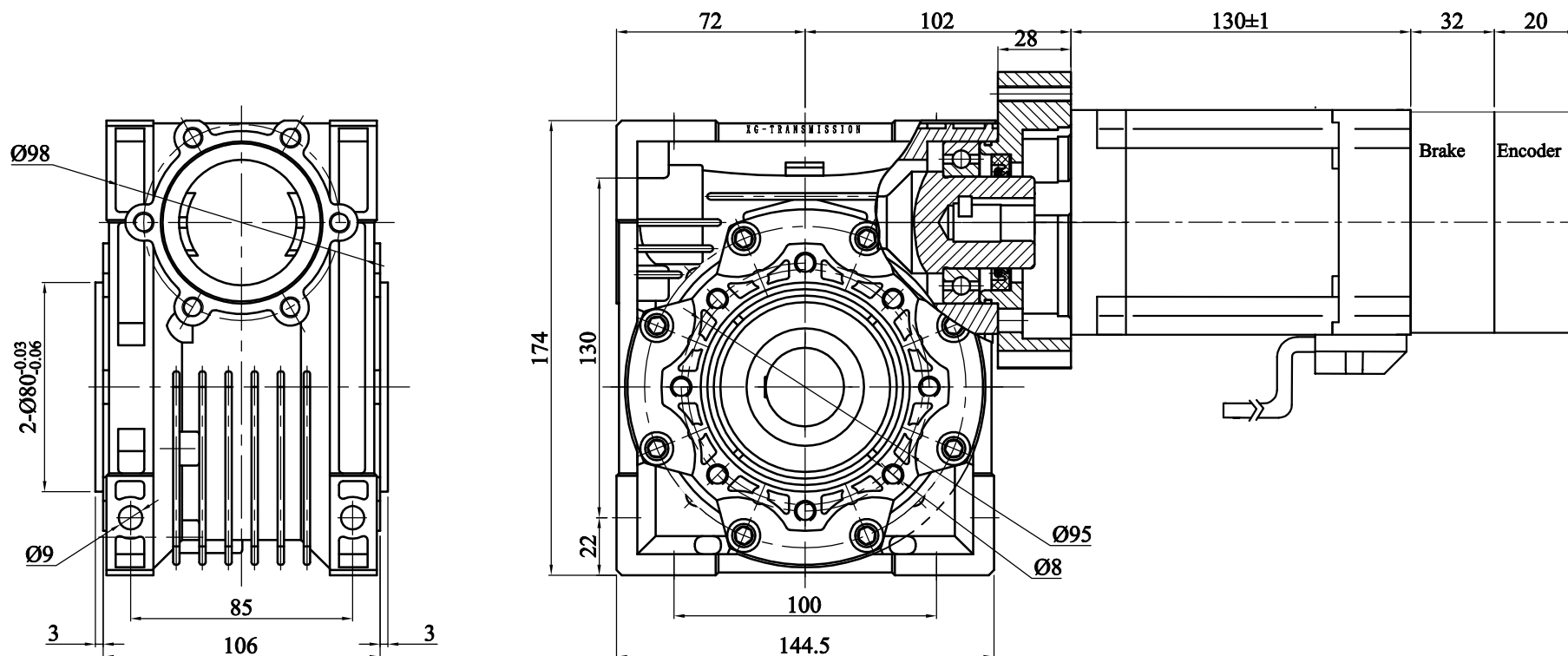


# 500W DC24V 2000r/min brushless dc motor +Temperature sensor+Brake +Encoder +RV63-50



**Specification:**  
**Style#:** D5BLD500-24A-20STME/RV63-50  
**Rated Voltage:**24V  
**Rated Power:**500W  
**Rated current:**26A  
**Peak current:**52A (Only allows 1-3 seconds of continuous operation)  
**Rated speed:**2000r/min±10%  
**Gear ratio:** 1:50  
**Speed after Gearbox:** 40r/min±10%  
**Torque after Gearbox:** 71N.m  
**Peak Torque:** 142N.m(Only allows 1-3 seconds of continuous operation)  
**Protection rank:** IP54  
**Appropriate environment:**Temperature: 0-40 °C;  
**Humidity:** < 80%  
**Temperature Sensor :**KTY84-130

Power wire			Hall wire					Brake		Temperature sensor	
Red	Yellow	Black	Red	Black	Blue	Green	White	Red	Black	Red	Black
U	V	W	5V	GND	Ha	Hb	Hc	+	-		

Guangzhou DMKE Intelligent-Technology Co., Ltd

NO	变更	日期	制图	审核

SIZE	品名	图号	比例	
A 4			1:2	
材料	数量	重量	入库	批准
				审核
				制图