



# MODEL:

## KCSGP-600-500-K60-W

### Application:

For industrial inspection, damage, scratches, defects, etc.

### Specification:

Model	KCSGP-600-500-K60-W
Lighting area	600mm*500mm
Hole	60mm
Voltage	DC24V
Power	60W
Connectors	SP 2-Pin
IP rating	41
White color temperature	6500-7000k
Working life	30000hours
Warranty	1 year
Dimension	600mm-500mm
Weight	4kg
Lamp Luminous Efficiency(lm/w)	80
LampLuminous Flux(lm)	4000

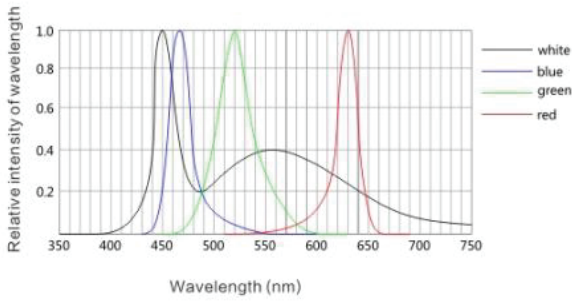


Content	PCB board QR code detection
Tested item	PCB board
Difficulties in the plan	Wide field of vision
Light sourceresult	Clear and uniform imaging of the QR code at each location, and accurate positioning and recognition of the QR code

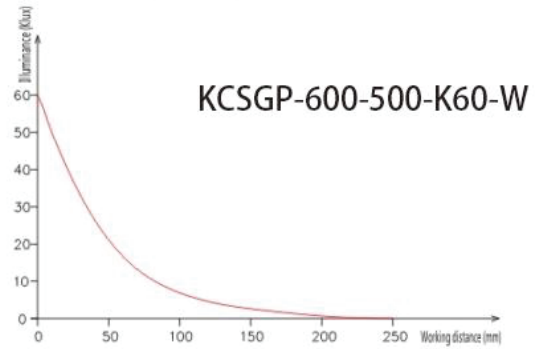




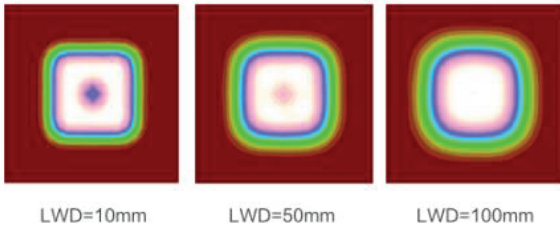
**Spectral diagram**



**Illumination map**



**Uniformity diagram**



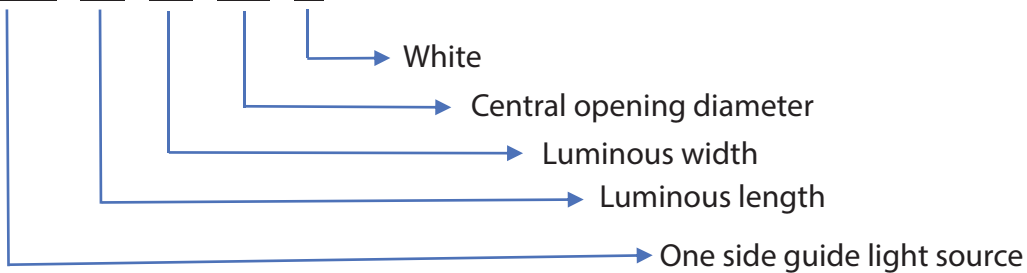
**Sectional structure diagram**



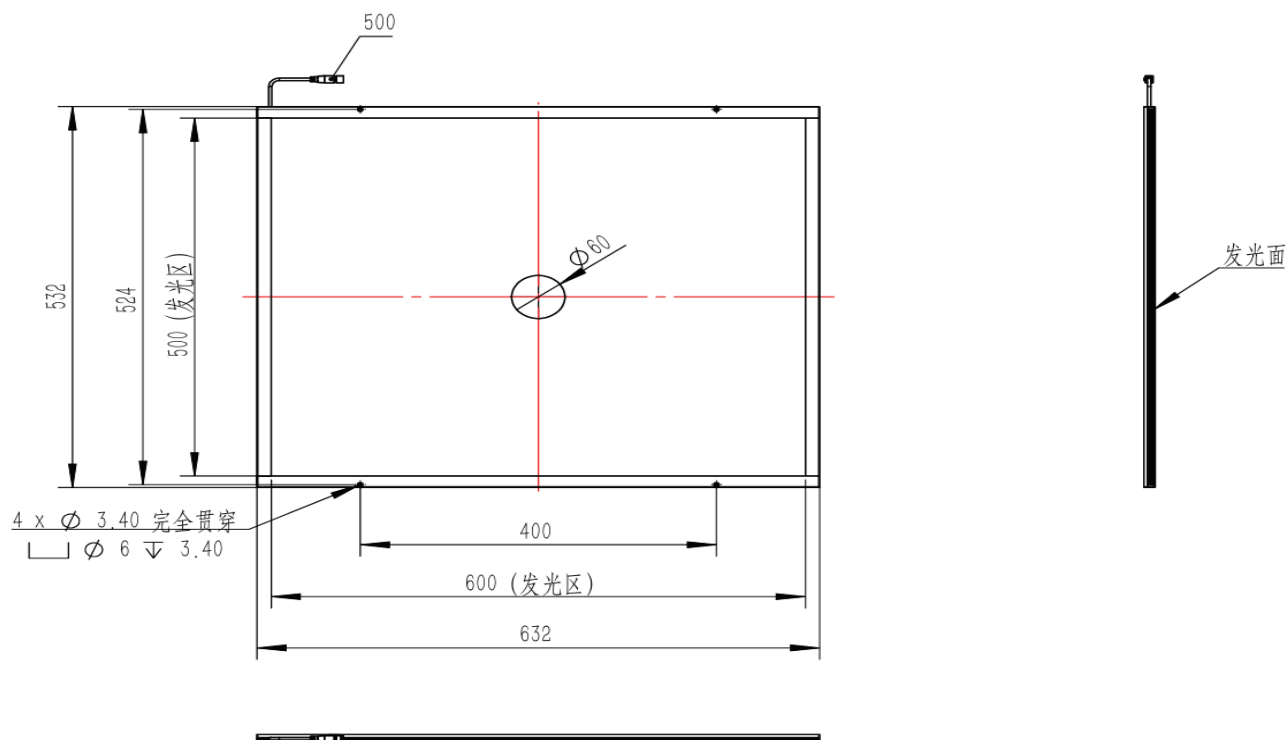
SN	Model	Power/W	Size mm	Extension cable	Controller
1	KCSGP-600-500-K60-W	60	600*500	SE, FE Series	KcsKAC2-24V120W-4T

### Naming Rules:

**KCSGP - 600 - 500 - K60 - W**



## Drawing:



## Controller:

